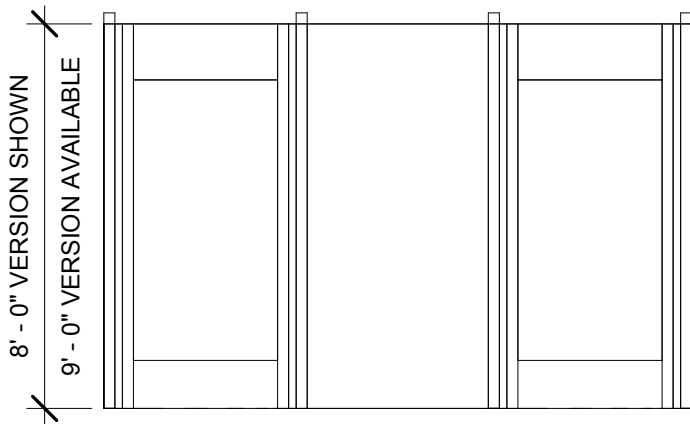
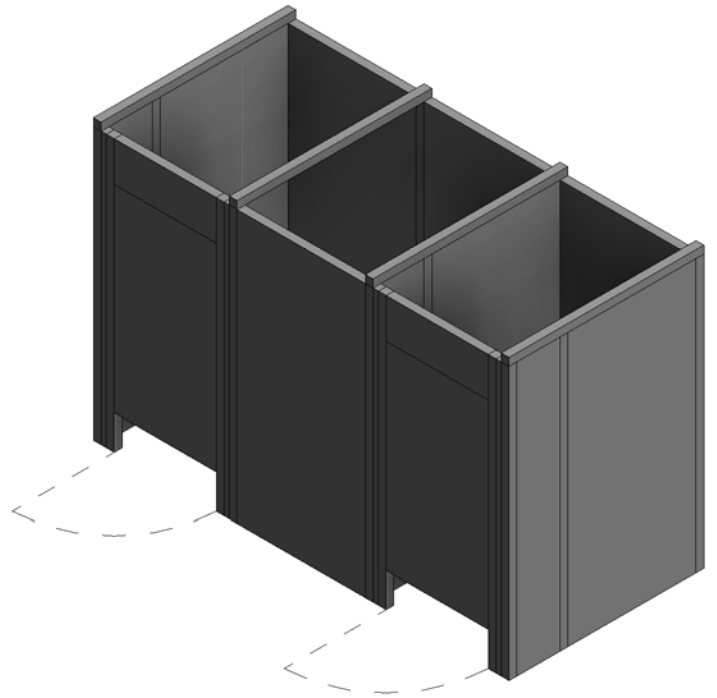
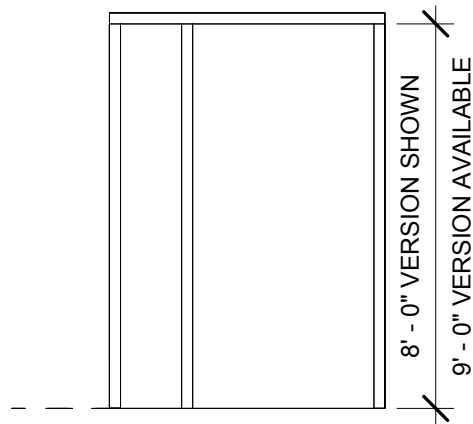


PLAN



FRONT ELEVATION



SIDE ELEVATION



www.madixinc.com

# MADIX - REVIT DRESSING ROOM

## TUBE LINE 2-BAY

Project number 18233

Date 01.07.2019

Drawn by PM

Checked by BS

TLFS 2-B

Scale 1/4" = 1'-0"